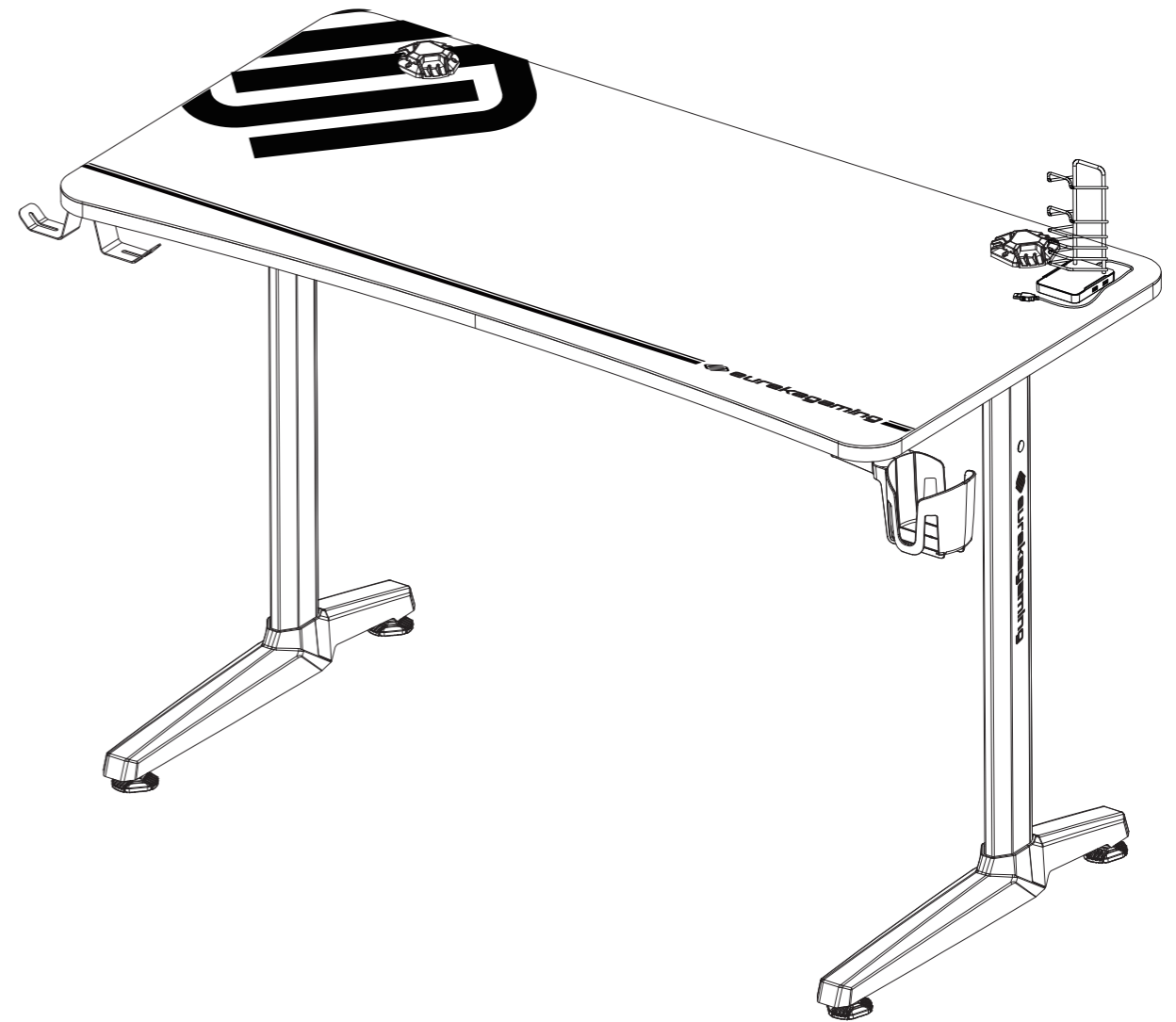



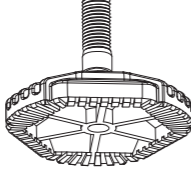



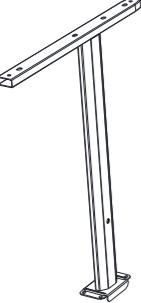
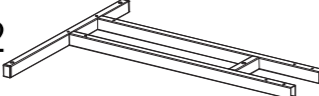
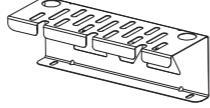
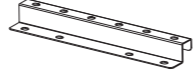
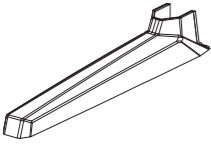
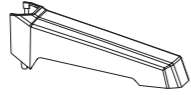
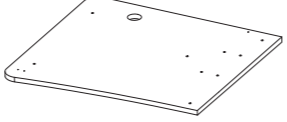
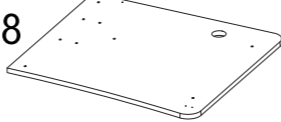



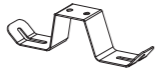
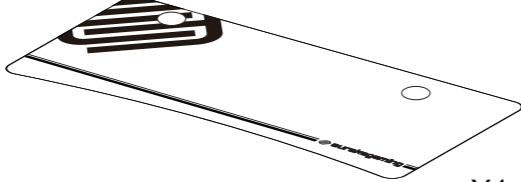
GIP-P47



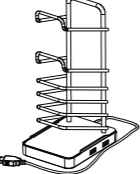
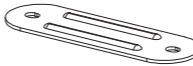


- ①

X28
- ②

X4
- ③

X14
- ④

X4
- ⑤

X4
- ⑥

X1
- ⑦

X1

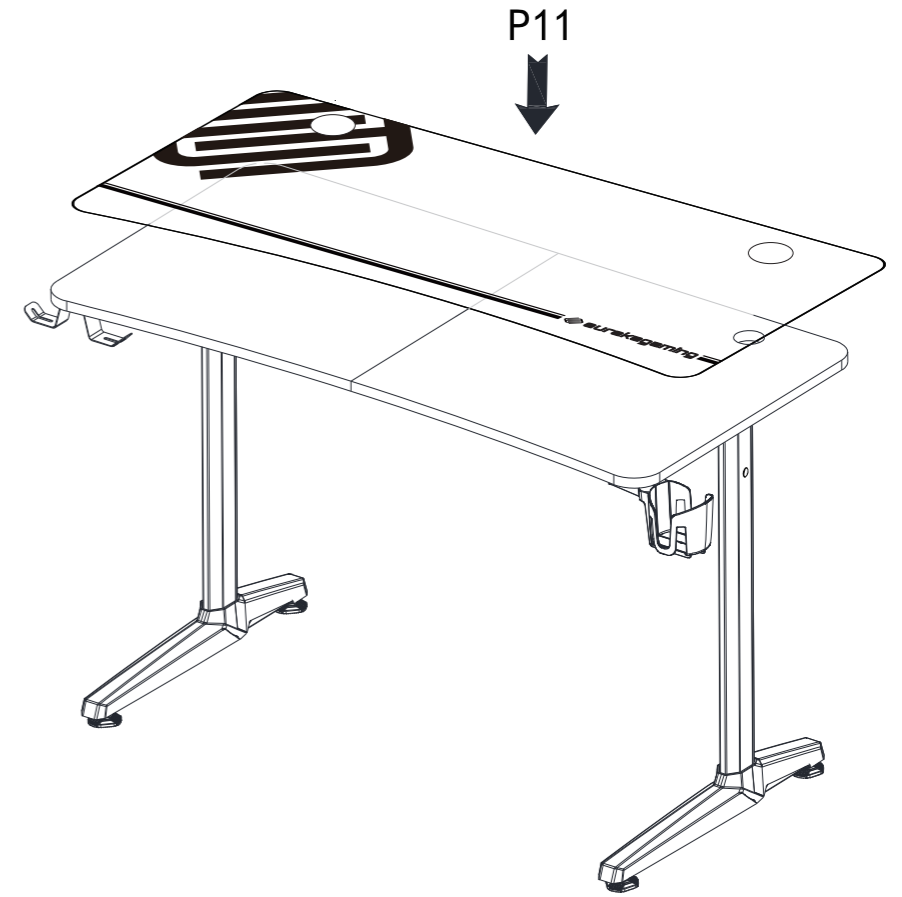
- P1

X2
- P2

X2
- P3

X1
- P4

X2

- P5

X2
- P6

X2
- P7

X1
- P8

X1

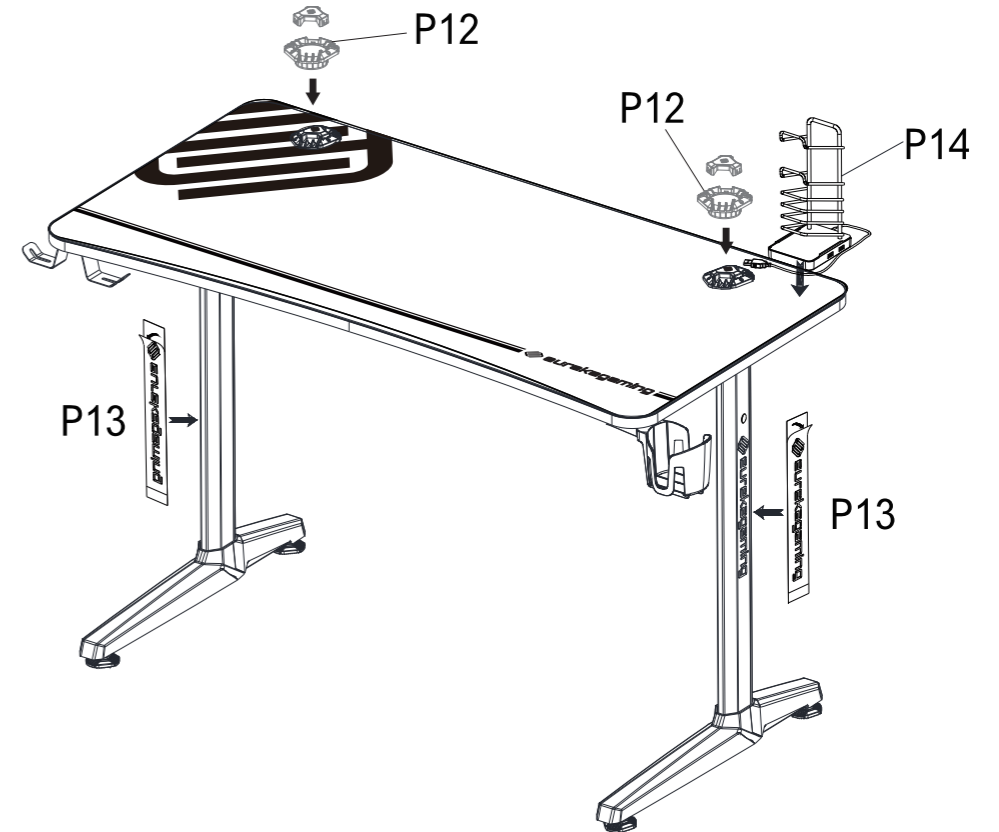
- P9

X1
- P10

X1
- P11

X1

- P12

X2
- P13

X2
- P14

X1
- P15

X2

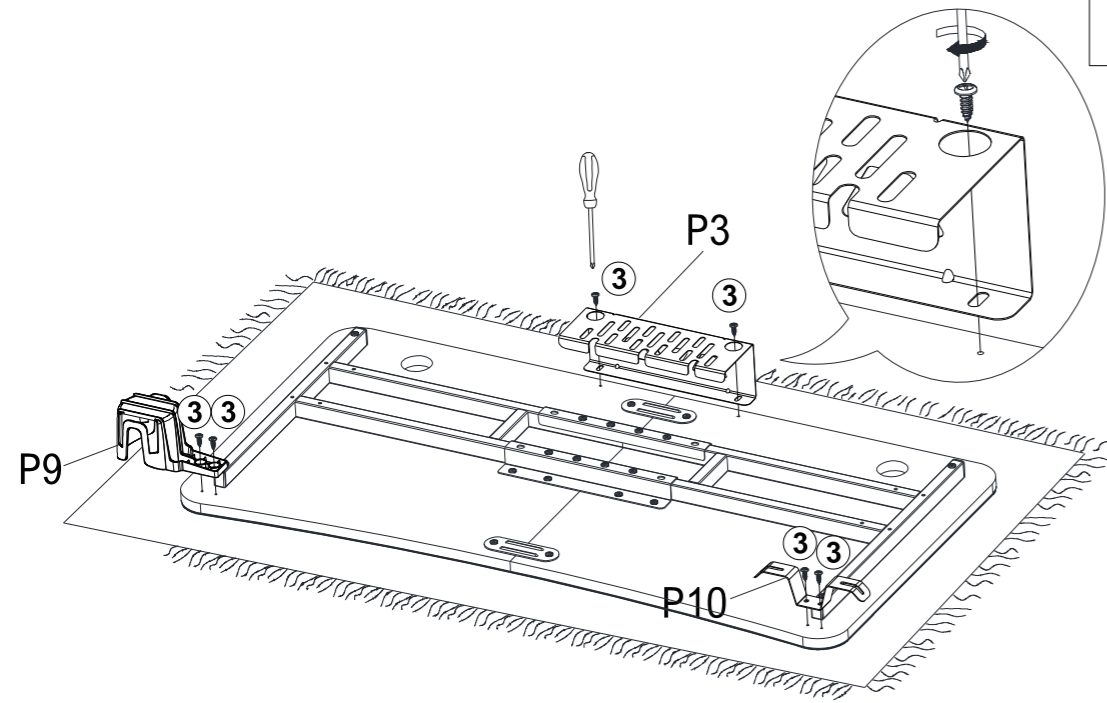
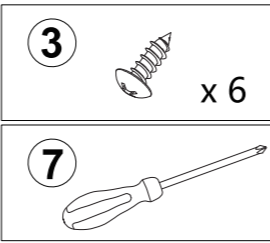
9.



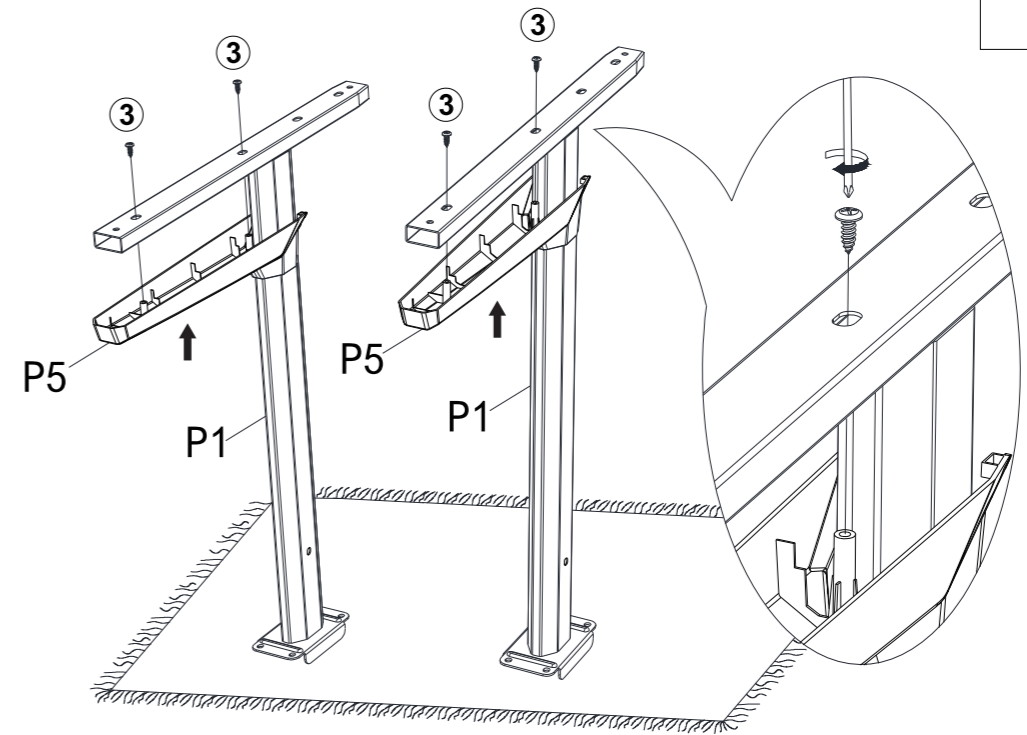
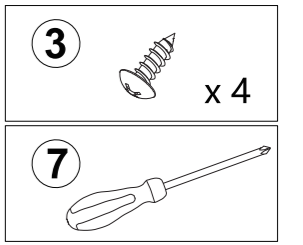
10.



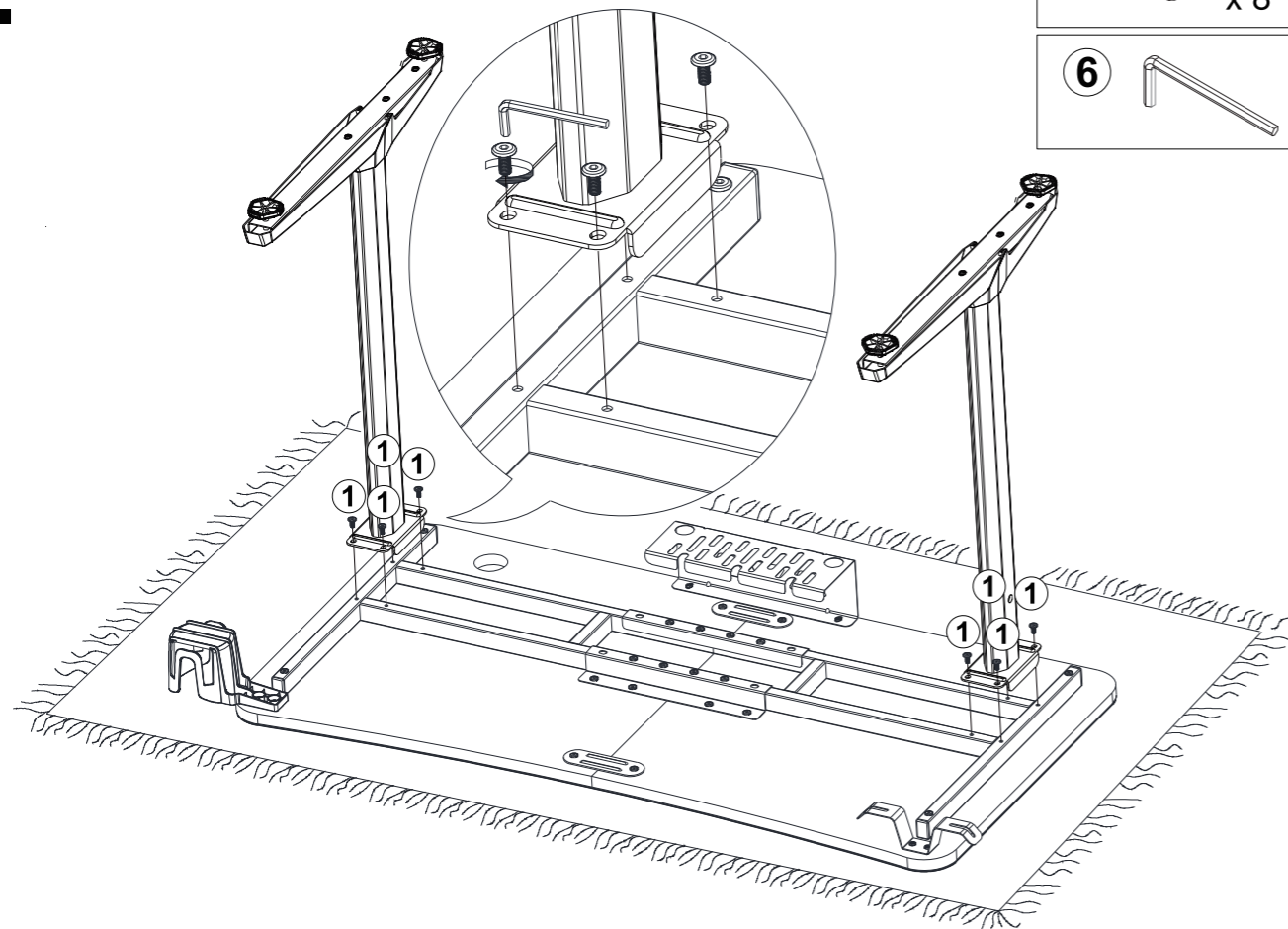
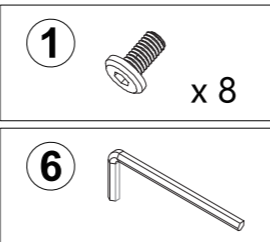
7.



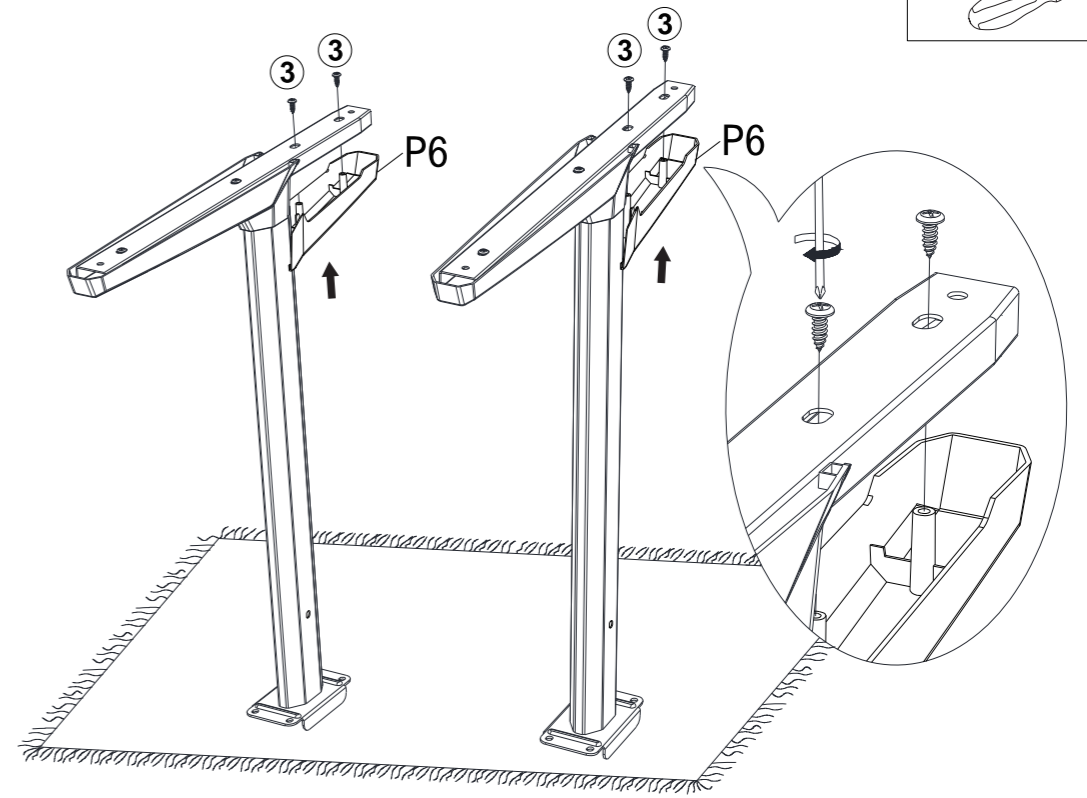
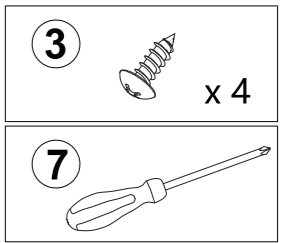
1.



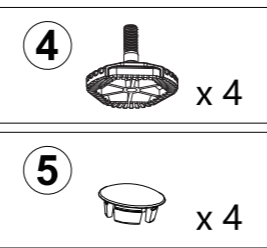
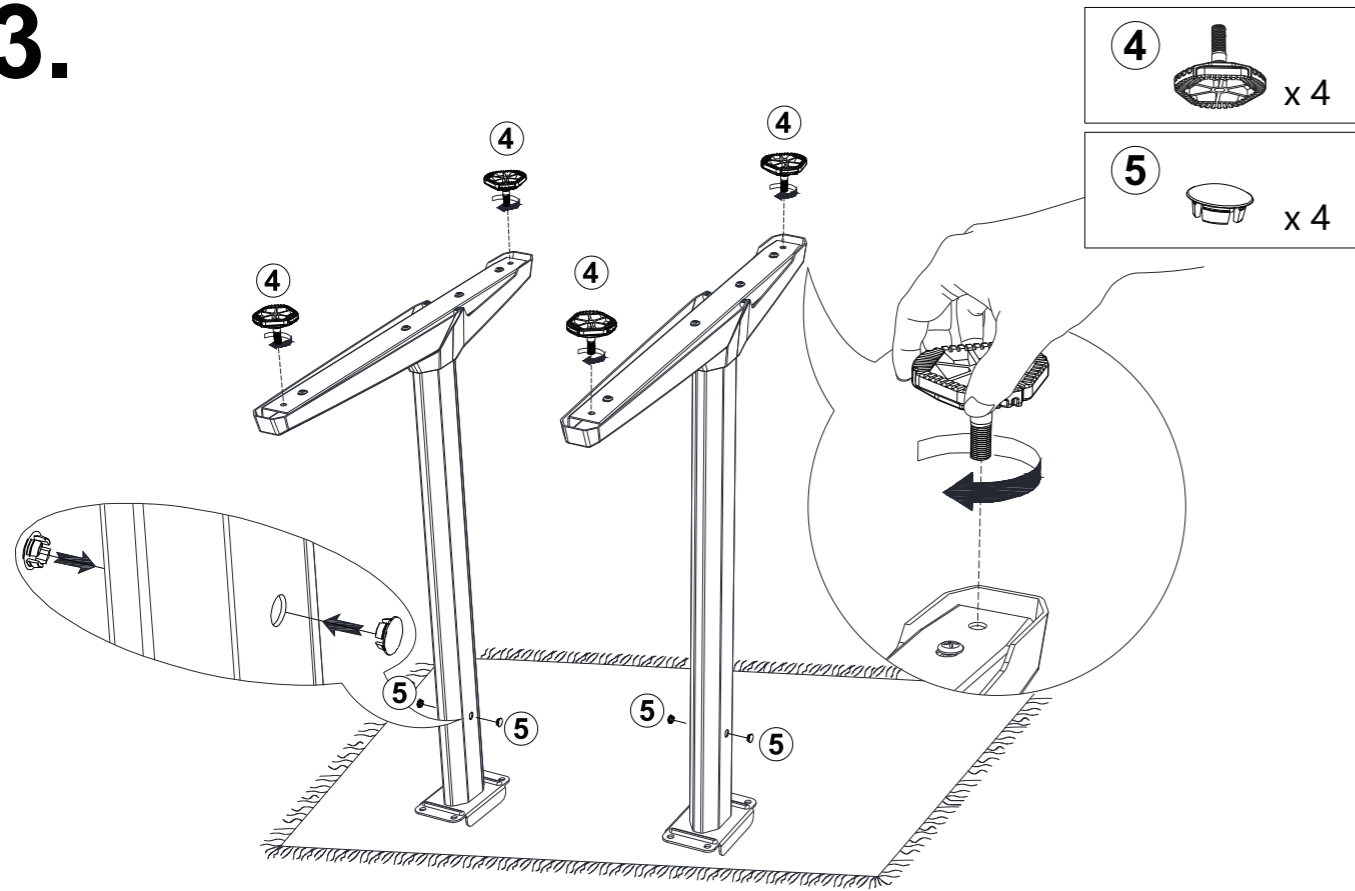
8.



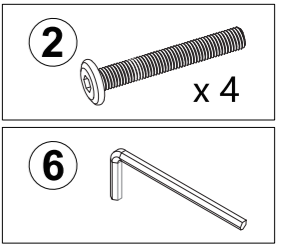
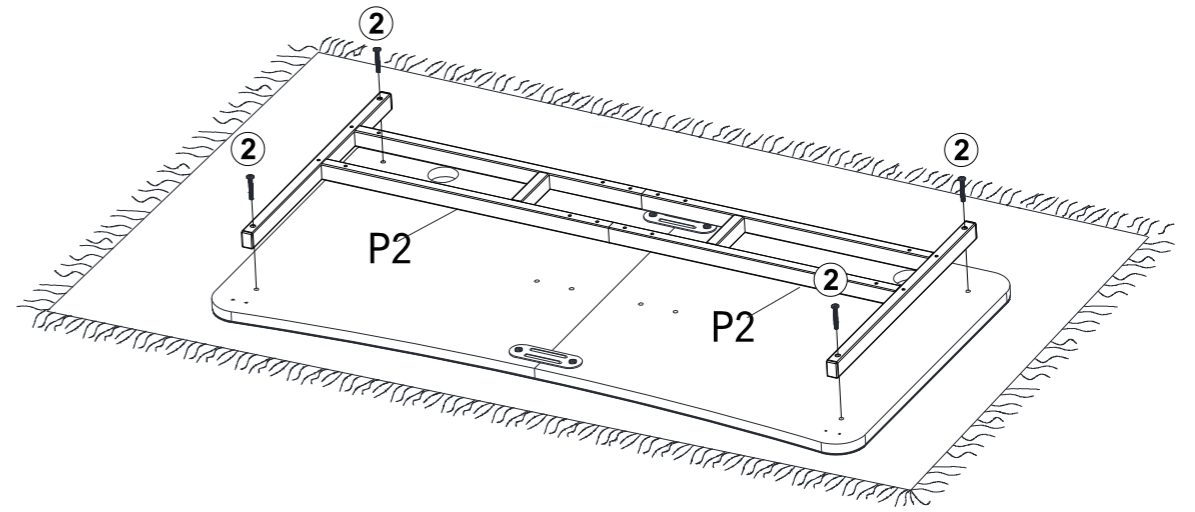
2.



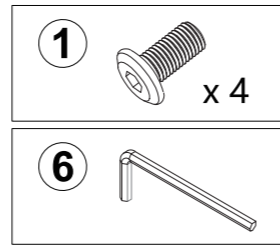
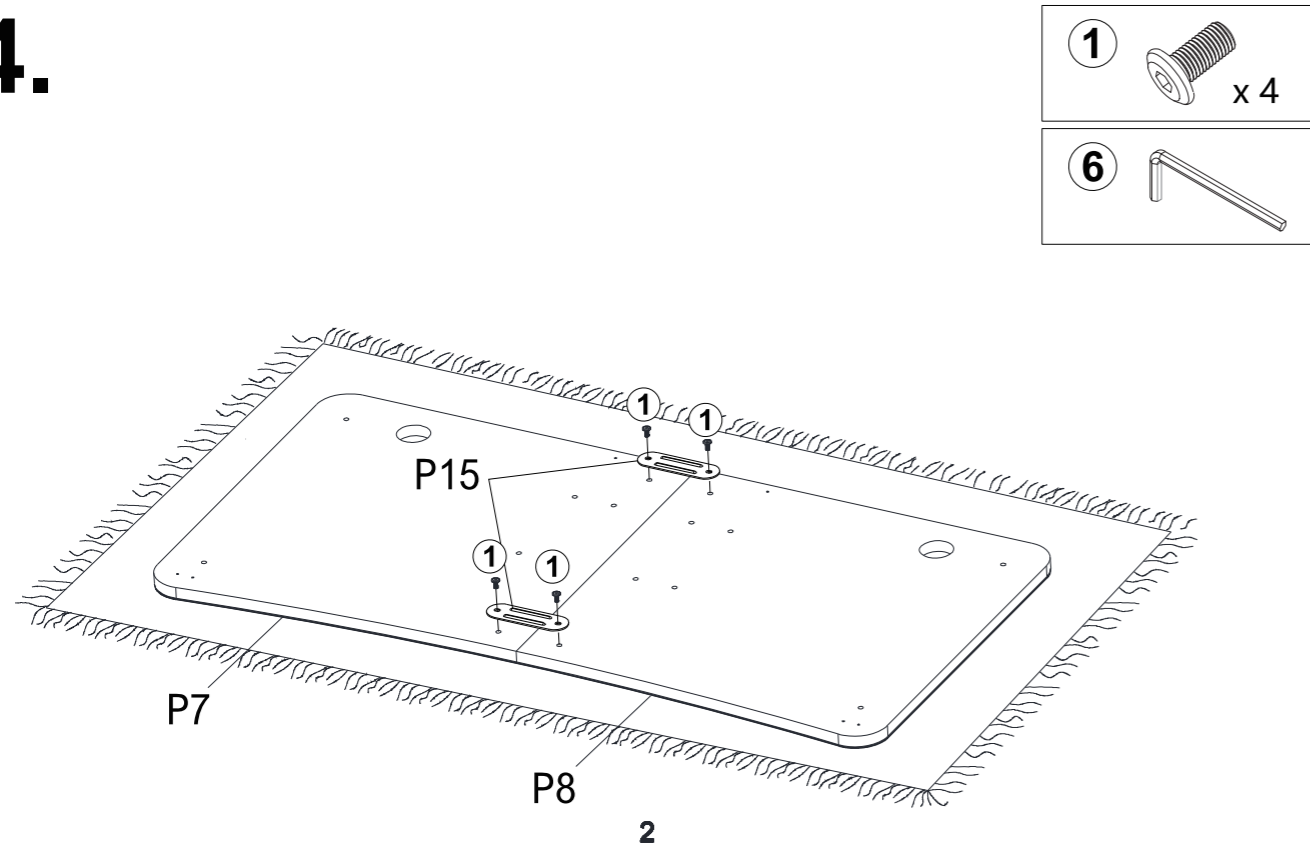
3.



5.



4.



6.

